

1 2 3 4 5 6

A

B

C

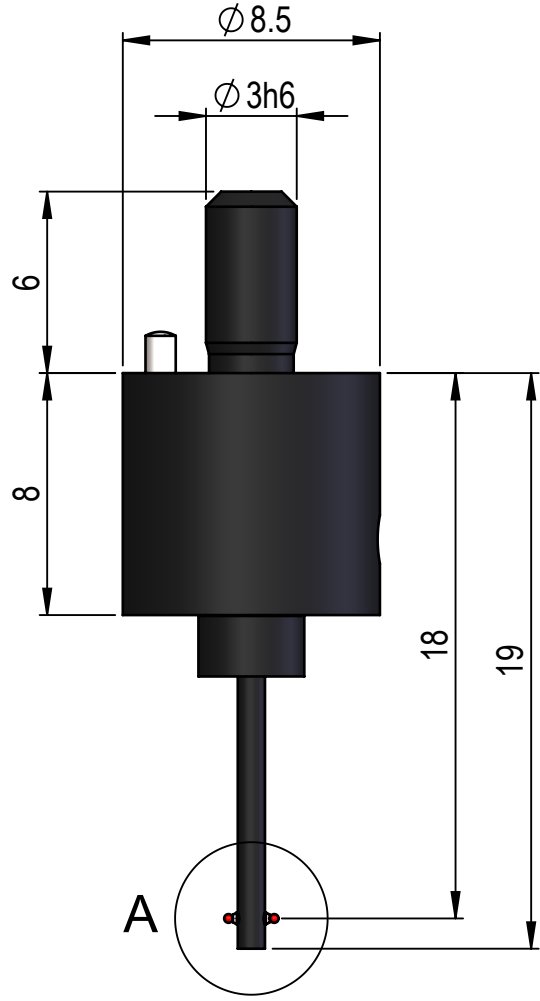
D

A

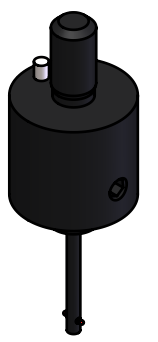
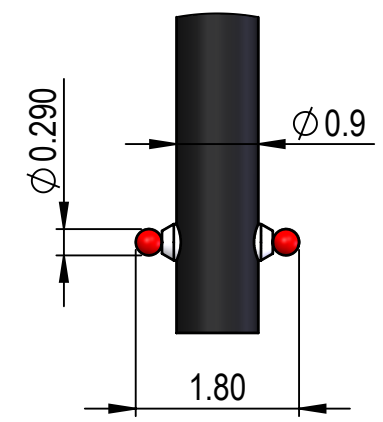
B

C


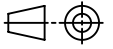
D



A (12 : 1)



(2:1)

 <a href="http://www.peterhirt.com">www.peterhirt.com</a>	1003198	Masstab / Scale
	Size 0-290 parallel	4:1
		mm
		

1 2 3 4 5 6