

1 2 3 4 5 6

A

A

B

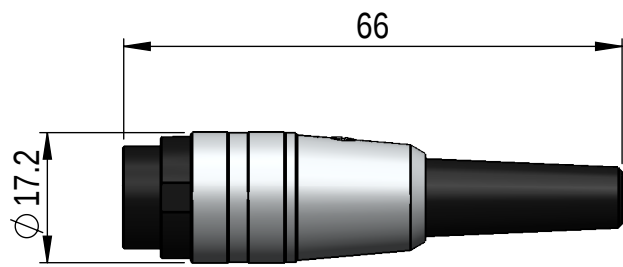
B

C

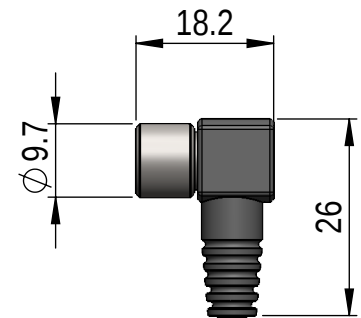
C

D

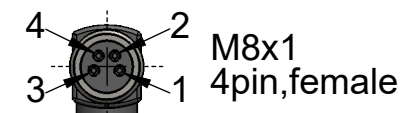
D



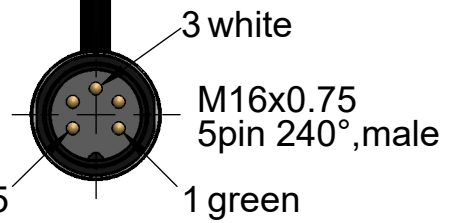
L = 5.0m



D-B'HP'S\$' +°/0 &	@mY
1	brown
2/4	white
3	green



M8x1
4pin, female



3 white
M16x0.75
5pin 240°, male
brown 5
1 green

Connection cable radial
for transducer T series pluggable



1000898
T100/71056

Massstab / Scale
1:1
mm

1 2 3 4 5 6