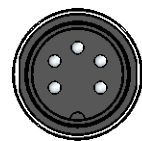
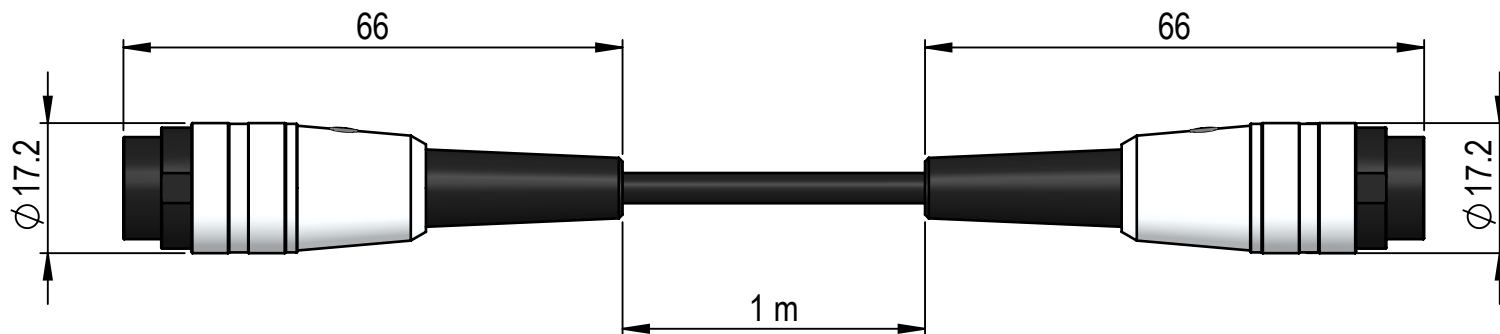



M16x 0.75  
5 pin, 240°  
female



M16x 0.75  
5 pin, 240°  
male

 <a href="http://www.peterhirt.com">www.peterhirt.com</a>	1000916	Masstab / Scale
	<b>T100/78100</b>	1:1
		mm
		